

Installation instructions for PZ4AL-3590-00, PZ4AL-3591-00  
Under Run Protective Shield Engine Bay

## TOYOTA LC 150



Model year:

**LC 150**  
**2017**

Applicability:

Part Number:

Steel: PZ4AL-3590-00  
Aluminium: PZ4AL-3591-00



Weight:

Steel: 11,39 kg  
Aluminium: 8,33 kg

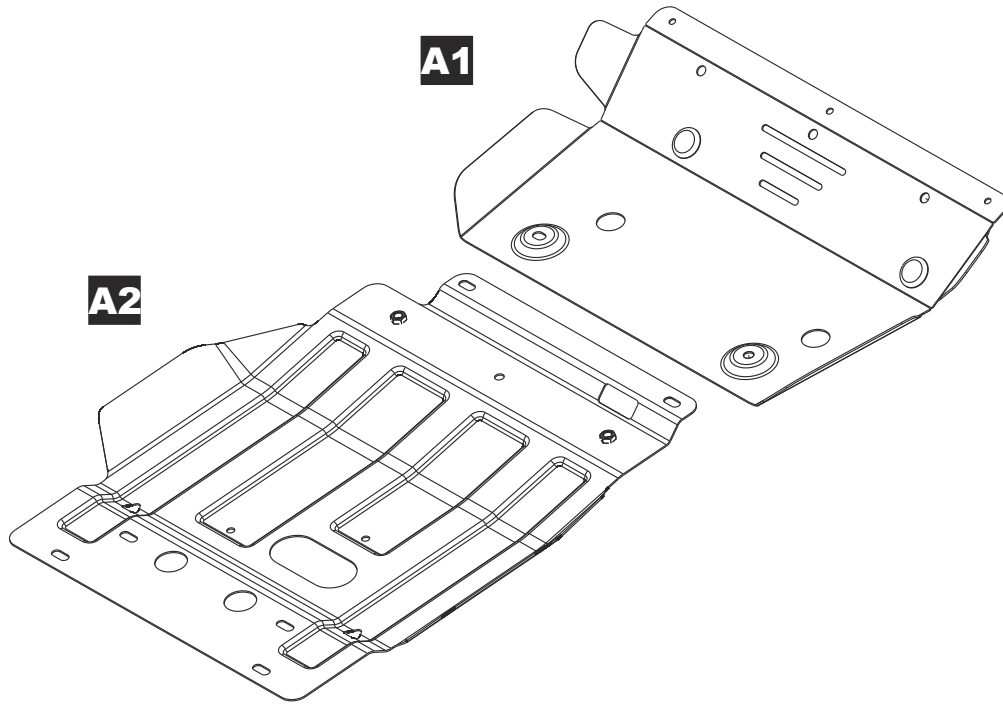


Installation Time:

30 min

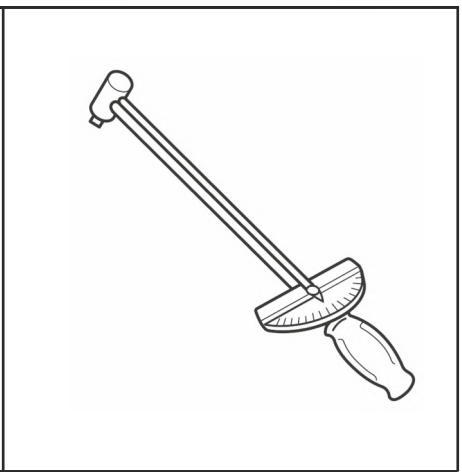
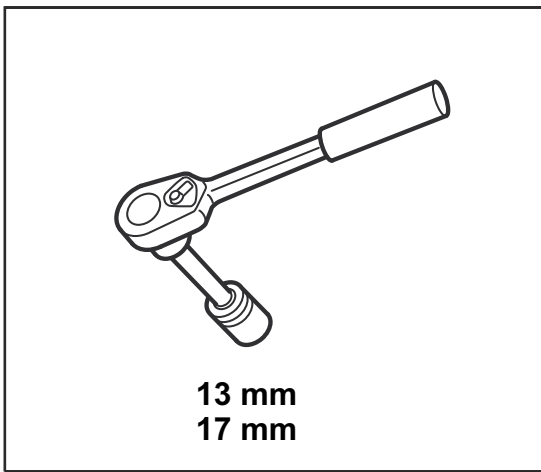
Rev.1 15.12.2017

PZ4AL-03590-00, PZ4AL-03591-00

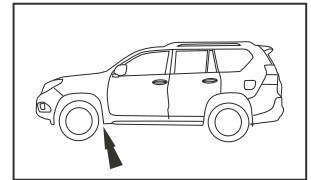
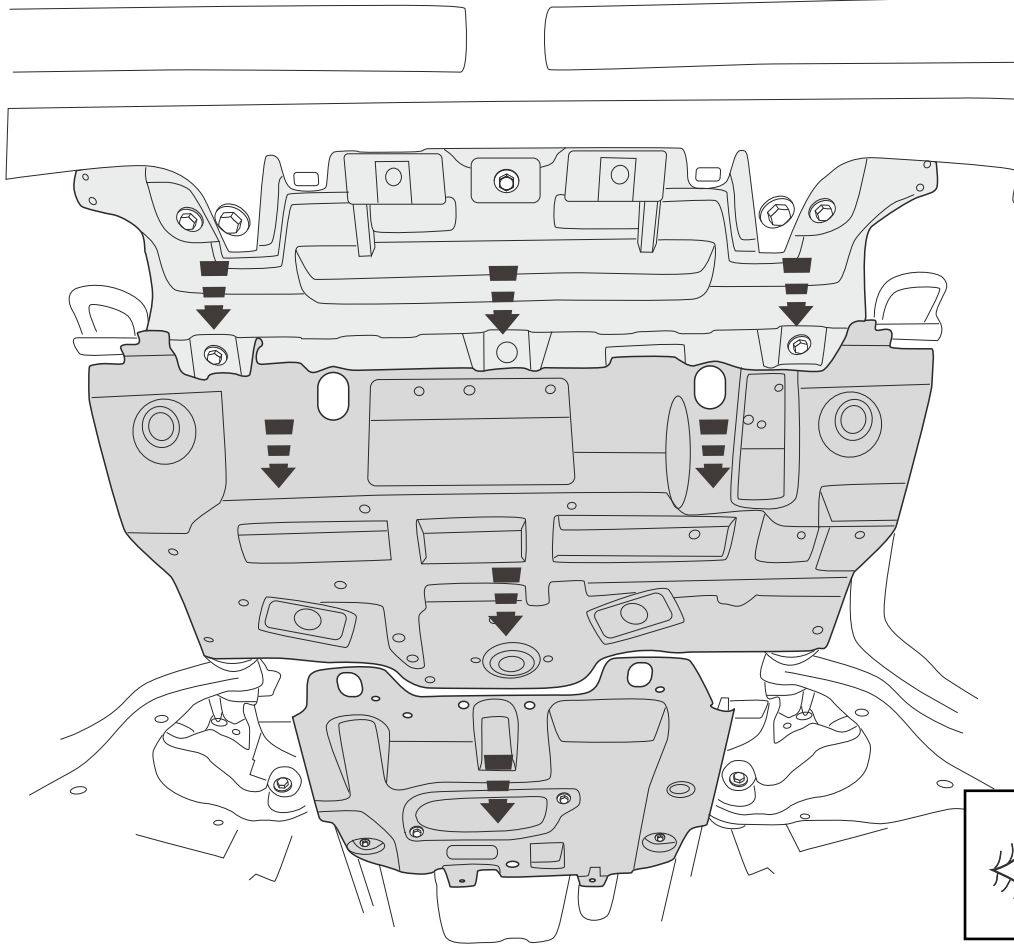


PZ4AL-03590-60

<p><b>B</b></p> <p>1x</p>	<p><b>C</b></p> <p>2x</p>	<p><b>D1</b></p> <p>M8x20</p> <p>2x</p>	<p><b>D2</b></p> <p>M10x25</p> <p>7x</p>	
<p><b>D3</b></p> <p>M10x1,25x30</p> <p>2x</p>	<p><b>E1</b></p> <p>d=8</p> <p>2x</p>	<p><b>E2</b></p> <p>d=10</p> <p>9x</p>	<p><b>F1</b></p> <p>d=8</p> <p>2x</p>	<p><b>F2</b></p> <p>d=10</p> <p>9x</p>



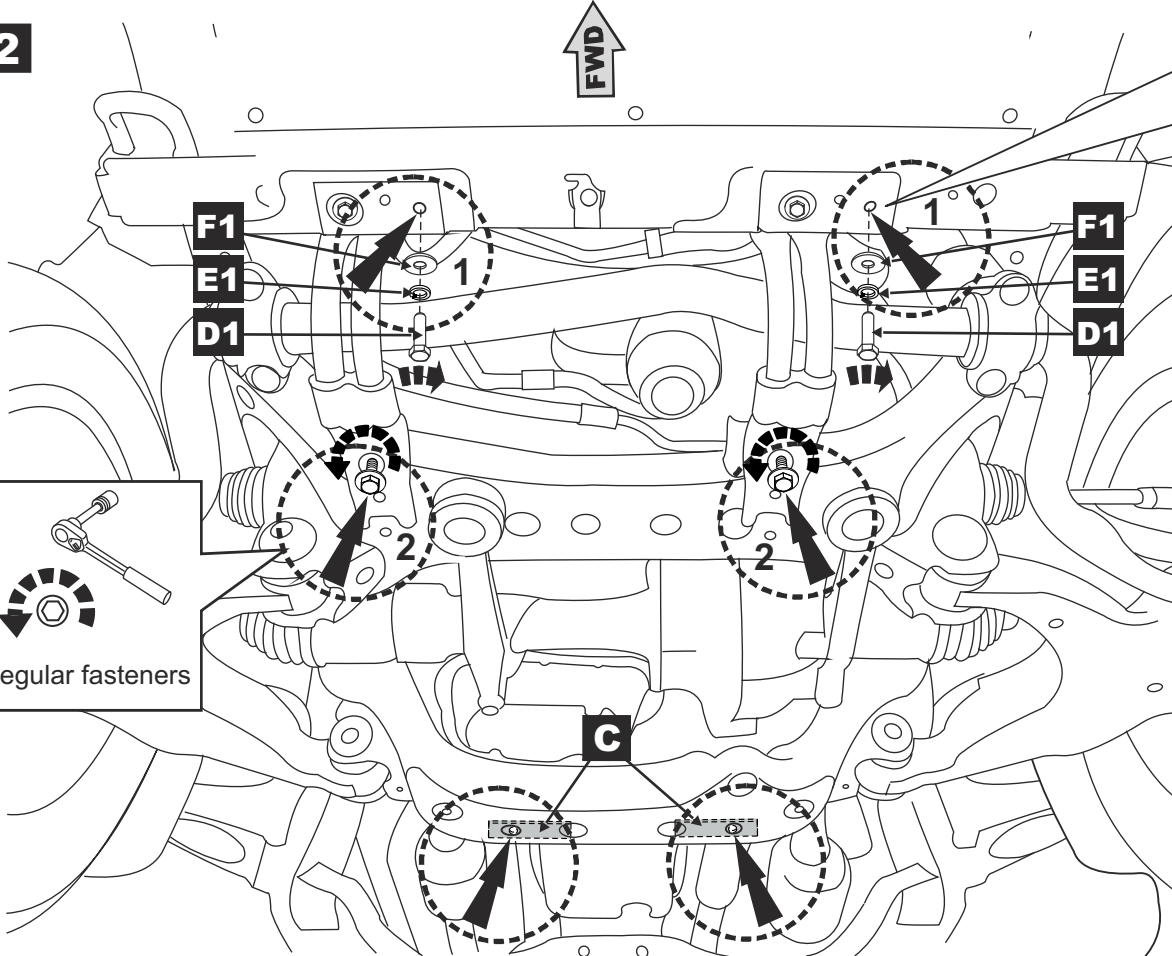
1



see repair manual

2

FWD



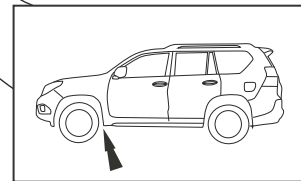
1

13 mm

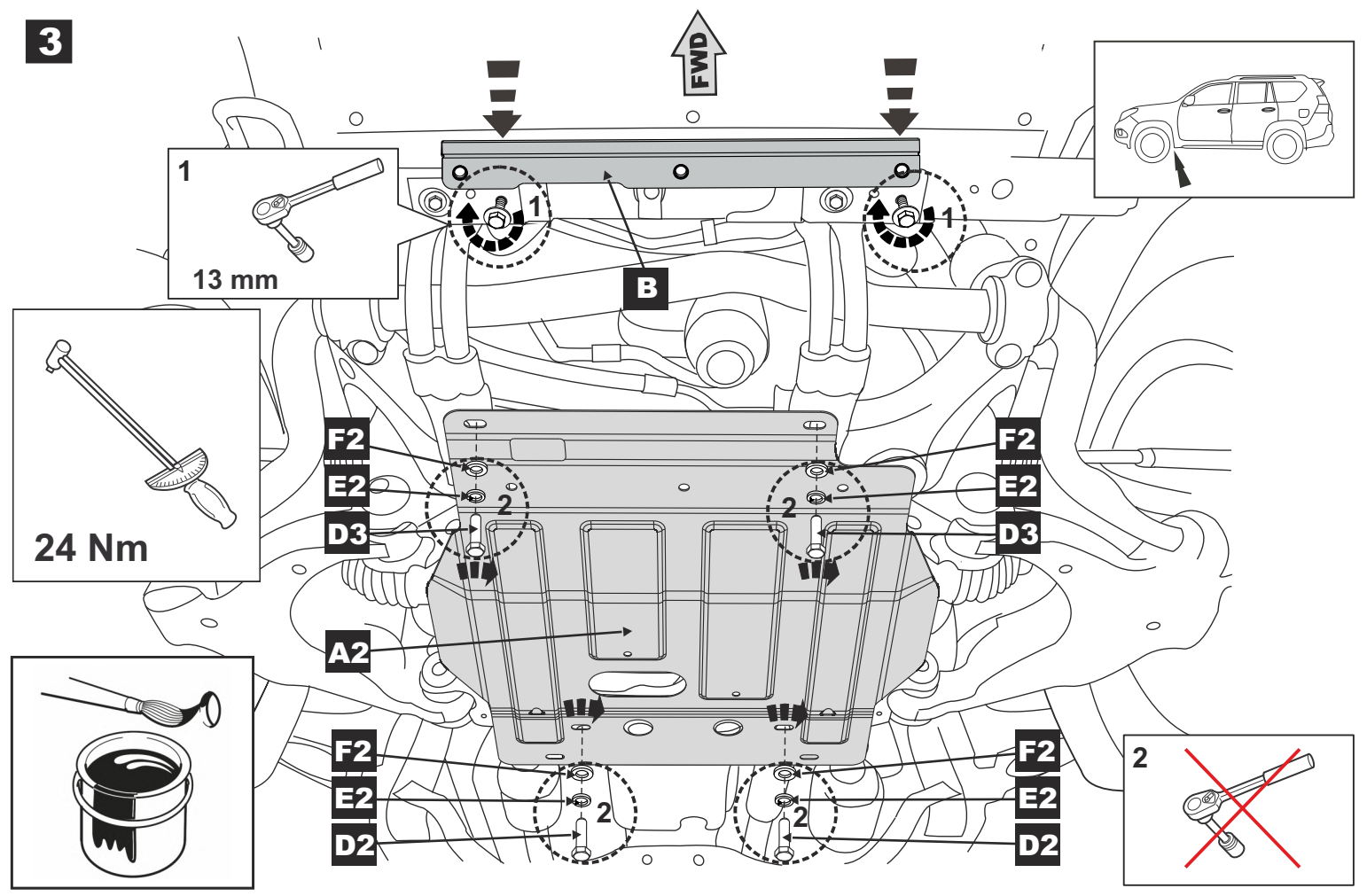
24 Nm

2

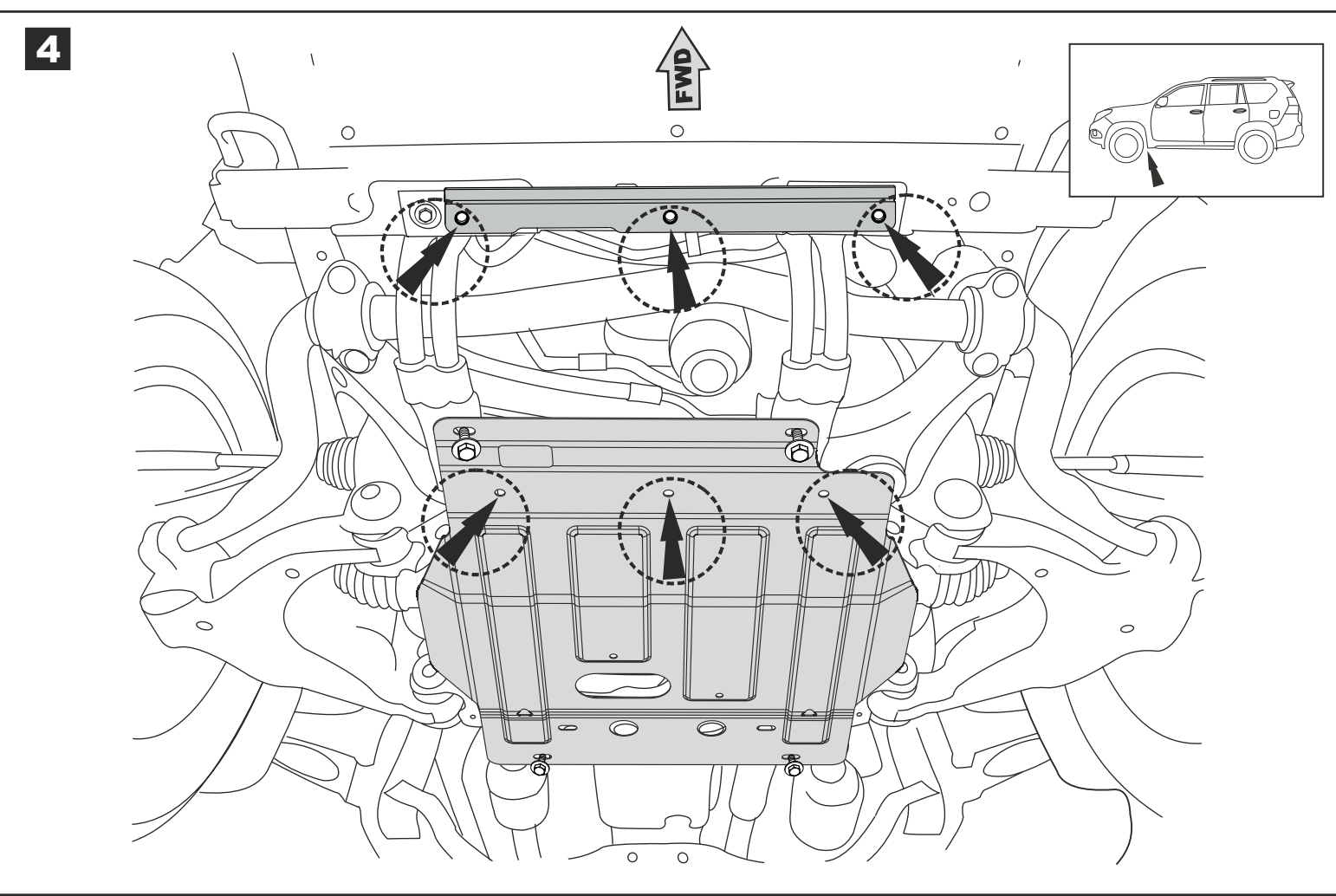
Regular fasteners



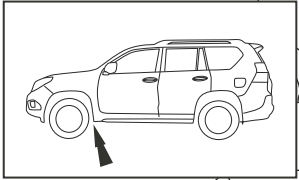
**3**



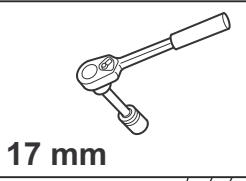
**4**



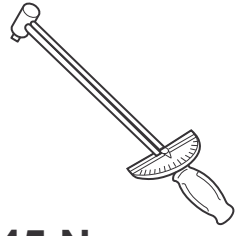
5



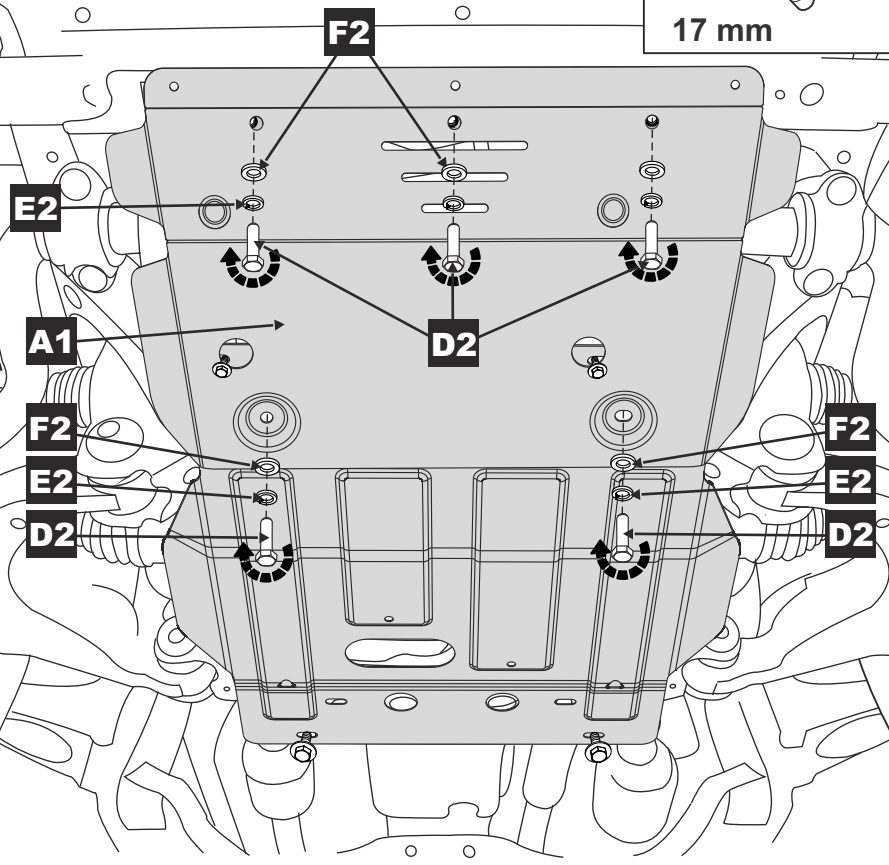
FWD



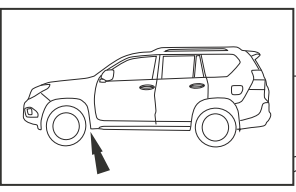
17 mm



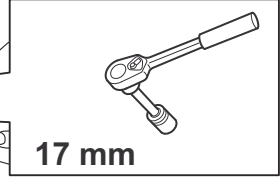
45 Nm



6



FWD



17 mm



45 Nm

